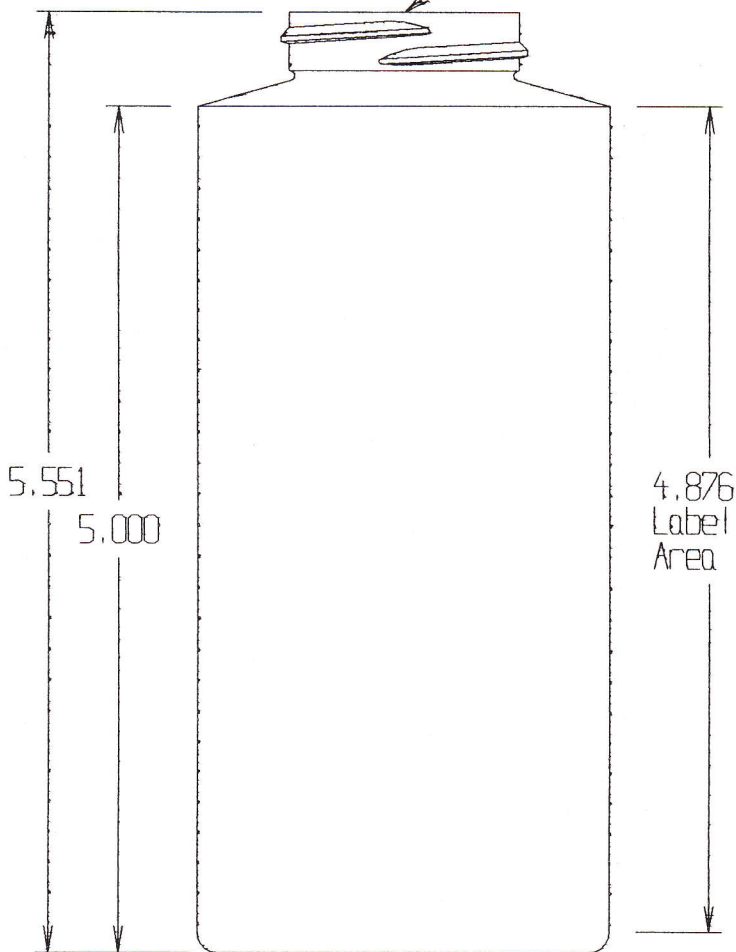
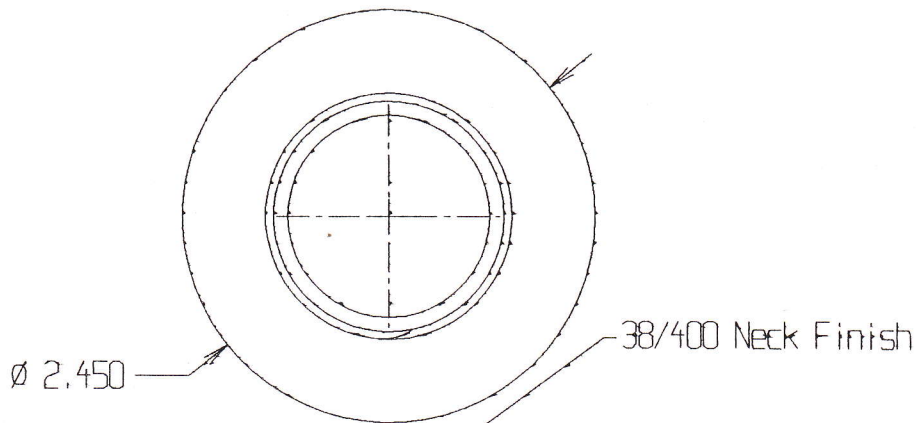
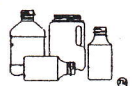


X
Y



Overflow 12.6

Label Area: 4.87H X 7.69
37.45 Sq. In.

	R. N. FINK MFG. CO. WILLIAMSTON, MI 48895
Date: Dec 19, 01	Scale 1=1
Weight: 30 Grams	Drawn by: S.P.
Part Name:	12 oz. Straight Side Cylinder