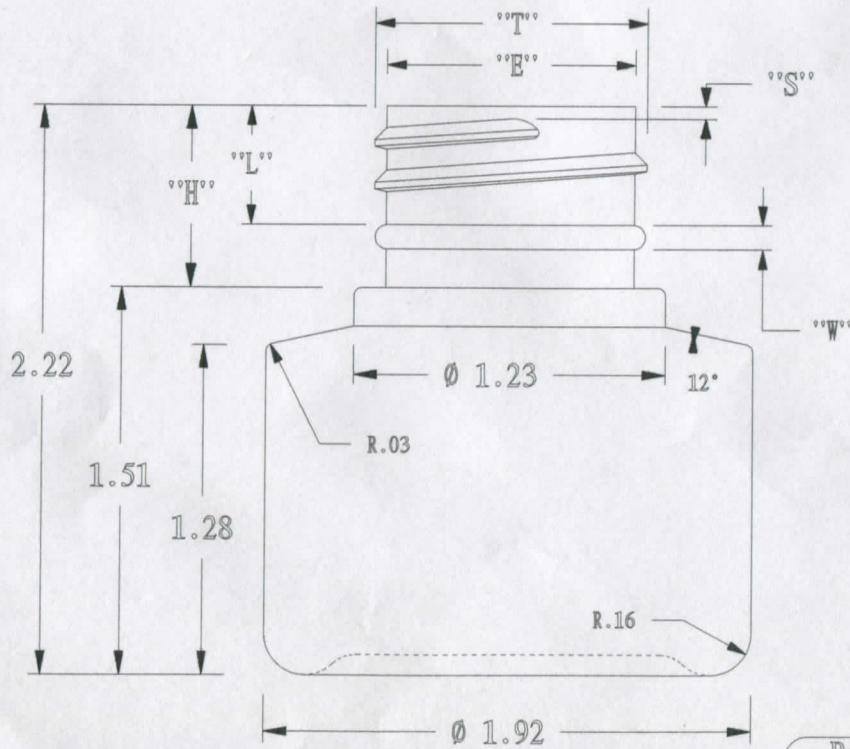


${}^{\circ}T^{\circ} \equiv 1.078 \begin{matrix} +.010 \\ -.010 \end{matrix}$
 ${}^{\circ}E^{\circ} \equiv 0.984 \begin{matrix} +.010 \\ -.010 \end{matrix}$
 ${}^{\circ}H^{\circ} \equiv 0.708 \begin{matrix} +.015 \\ -.015 \end{matrix}$
 ${}^{\circ}L^{\circ} \equiv 0.464 \begin{matrix} +.015 \\ -.015 \end{matrix}$
 ${}^{\circ}S^{\circ} \equiv 0.046 \begin{matrix} +.015 \\ -.015 \end{matrix}$
 ${}^{\circ}W^{\circ} \equiv 0.095$
 6-TPI



	R.N.FINK MFG. CO. Williamston, Mi. 48895 517-655-4351	
	Date: 01/12/12	Rev# 1 Drawn by: R. Scott
Part Weight Grams:	Part Name:	1.5 oz. Squat Cyl 28-410 Neck Finish

Part Weight Grams:

Part Name:

1.5 oz. Squat Cyl
28-410 Neck Finish