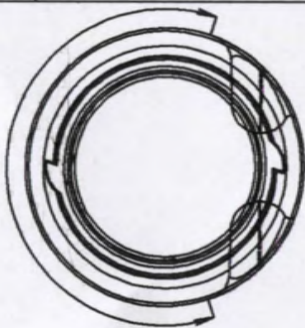


Label Width
6.83" Lay Flat



Neck Finish Dimensions:

"T" = 2.428"

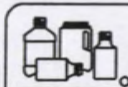
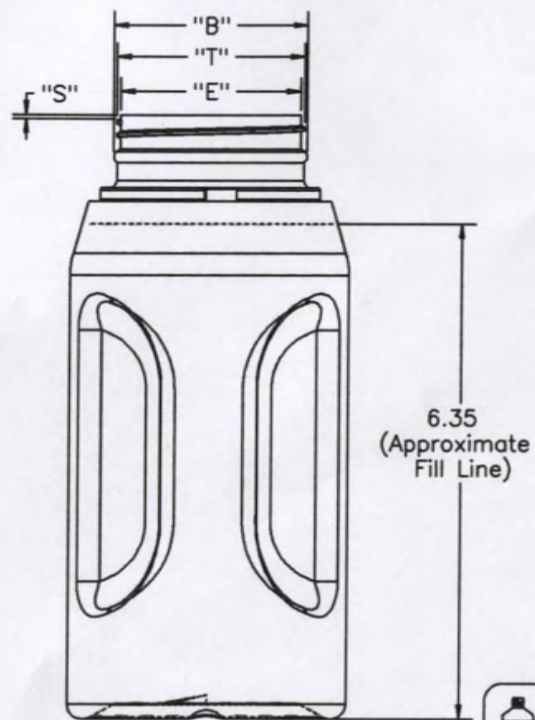
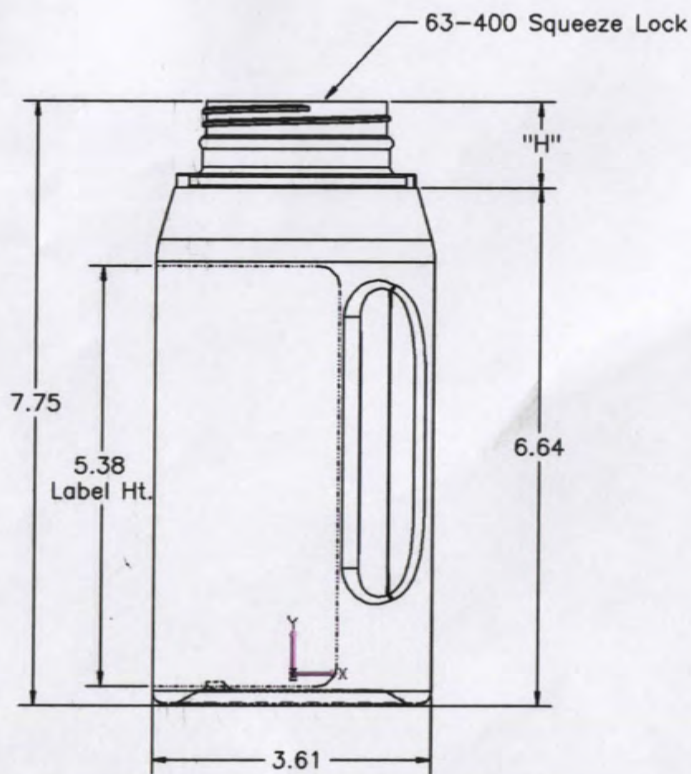
"E" = 2.334"

"S" = .047"

"H" = 1.107"

"B" = 2.509"

Total Overflow = 36.78 Oz.



R.N. FINK MFG. CO.
WILLIAMSTON, MI.
48895

Date: Feb. 5, 2014

Scale: 1-1

Weight: 80 Grams

Drawn By: L. Koyno

Part Name: 32 Oz. Grip w/63mm Squeeze Lock