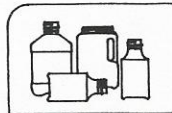
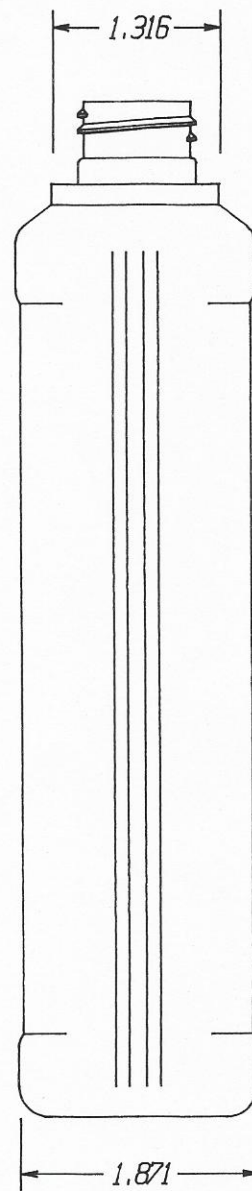
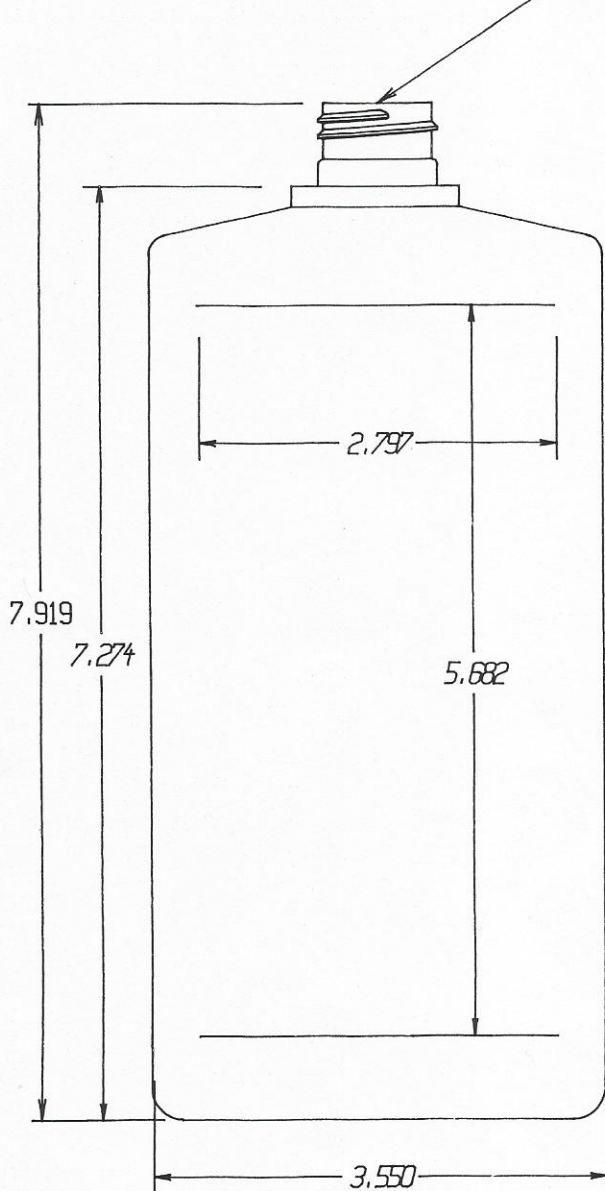


24-410 Neck Finish



R. N. FINK MFG. CO.
Williamston, MI. 48895
517-655-4351

Date: Apr 13, 00
Scale 1=1
Drawn By: S. P.

Part Name: 16oz Label Panel Ribbed Oval