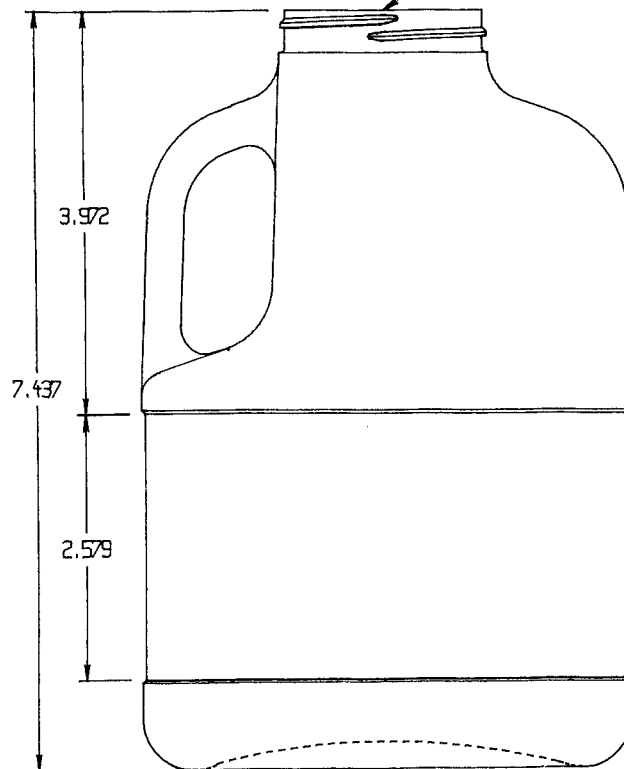



53/100 Neck Finish



	R. N. FINK MFG. CO. Williamston, MI. 48895 517-656-4351	
	Date: June 30, 00	Scale: 1:1 Drawn By: SP
Part Name: 1 1/2 Liter Center Fill Handle Round		